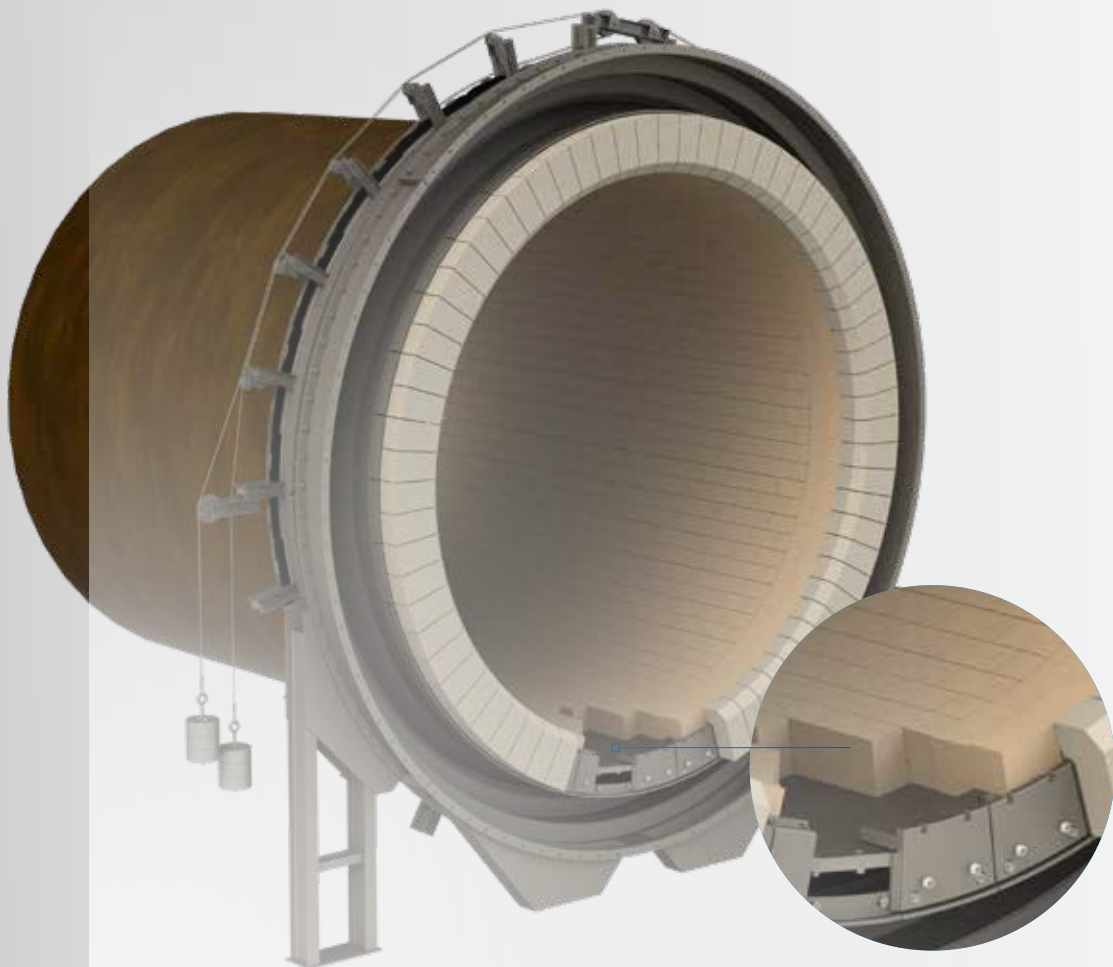


Replaceable precast kiln outlet sectors



Simplify maintenance and increase production

A damaged sector at the kiln outlet can result in costly kiln stops for essential repairs. A new concept from FLSmidth prolongs the lifetime of kiln outlet sectors and drastically reduces the replacement time.

Outlet sector system

The new outlet system consists of permanent sectors which are bolted directly to the kiln shell, two sets of hanging sectors which are precast before installation. The hanging sectors can simply be hung onto the permanent sectors without the need for drying and hardening before startup. The system furthermore includes a set of closing sectors, to ensure an efficient seal towards the cowl shell, thus minimising dust emissions from the kiln outlet.

The replaceable sectors are easy to handle, which helps minimise installation time. Replacing a damaged sector is a very straightforward and efficient procedure.

For a small investment, large benefits can be gained by reducing the replacement frequency of the outlet sectors and avoiding costly kiln stops.

Increased control

In addition to improving kiln availability, the new concept provides increased control of the casting process. A second set of hanging steel sectors can be procured, to ensure that they are ready for installation during the next shutdown. This moves the casting process out of the kiln and into a controlled facility.

During installation of the sectors the kiln will be available for turning which makes installation and maintenance more flexible. Due to the fact that no drying is required after installation, up to two days can be saved when replacing the sectors.

Typical maintenance scenario



Maintenance scenario with FLSmidth pre-cast outlet sectors



Key benefits

■
Short
installation time

■
Long
lifetime

■
Reduces
maintenance time

■
Reduces clinker
dust emission

■
Can be installed
on all kilns

Shortening downtime

Installation procedure

1. Install a full ring of permanent sectors and bolt them to the kiln shell.
2. Attach the closing sectors and bolt them to the permanent sectors.
3. Hang two precast hanging sectors on each permanent sector and bolt them together.

Scope of supply

The first purchase of the outlet sector system consists of:

- A complete set of permanent parts (permanent sectors, closing sectors including fasteners)
- Two complete sets of hanging sectors can be delivered precast, ready for installation.
- Tools for handling and installation.

A low-porosity cement castable is specified by FLSmidith. The cement castable combines the best refractory properties of several natural, high-alumina raw materials. The castable has high mechanical strength and excellent shock and abrasion resistance.

The life expectancy of the refractory casting is a full production campaign, effectively doubling the lifetime compared with other outlet sectors on the market.

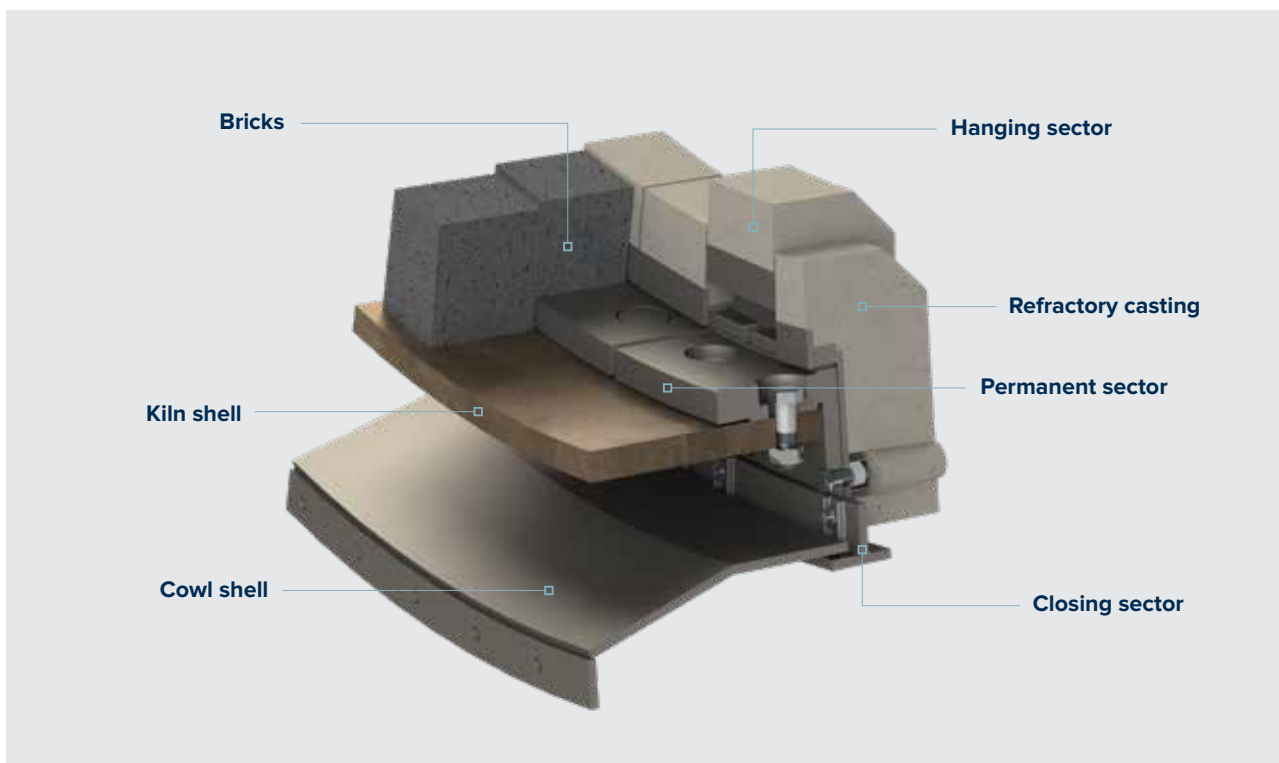
The extended lifetime allows sufficient time to procure the next set of hanging sectors with refractory casting.



Hanging sector with anchors



Hanging sector with refractory castable



Project Centre Denmark**FLSmith A/S**

Vigerslev Allé 77
DK-2500 Valby
Copenhagen
Tel: +45 3618 1000
Fax: +45 3630 1820
E-mail: info@flsmidth.com

Project Centre USA**FLSmith Inc.**

2040 Avenue C
Bethlehem,
PA 18017-2188
Tel: +1 610-264-6011
Fax: +1 610-264-6170
E-mail: info-us@flsmidth.com

Project Centre India**FLSmith Private Limited****FLSmith House**

34, Egatoor, Kelambakkam
(Rajiv Gandhi Salai, Chennai)
Tamil Nadu – 603 103
Tel: +91-44-4748 1000
Fax: +91-44-2747 0301
E-mail: indiainfo@flsmidth.com



flsmidth.com/linkedin



flsmidth.com/twitter



flsmidth.com/facebook



flsmidth.com/instagram



flsmidth.com/youtube